

Special Application Speed Reducers



DELROYD... MATCHING YOUR REQUIREMENTS

Series BX Conveyor Drive Units

Delroyd BX Series Speed Reducers are specially designed with high overhung load capacities required by the Food and Material Conveying Industries.

The BX Units incorporate the Delroyd involute helicoid thread form which permits simple, accurate gearing adjustments. The extended bearing span allows for higher overhung loads and allows selection of a smaller drive unit for a given load.

Our Standard Drywell Feature provides positive protection against leakage of oil into the output bearings, minimizing the possibility of product contamination.

Delroyd BX Series Conveyor Drives are available in single or double reduction (Helical-Worm or Double-Worm), with the output shaft in the Up or Down configuration.

- Single, Double and Helical Worm Reductions
- 5" to 9" Center Distances
- Ratio of 5:1 to 4900:1
- Standard Drywell Construction
- Larger Bearings and Bearing Span for Increased Overhung Load Capacity
- Large Diameter Alloy Steel Output Shaft Drilled and Tapped for Conveyor Applications
- Mounting Flange Interchangeable with Conveyor Industry Standards

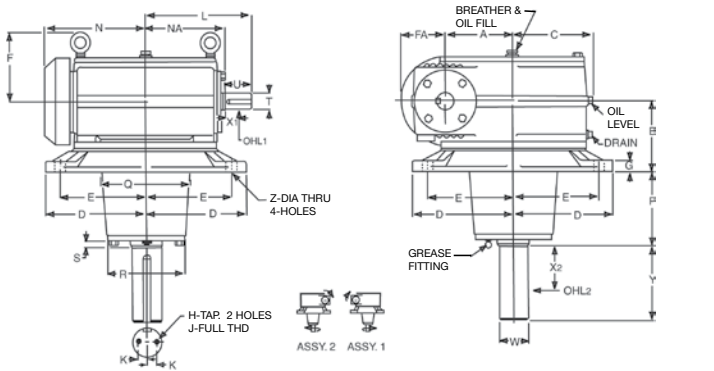


For Mechanical Ratings, See Catalog P-7000-DWG

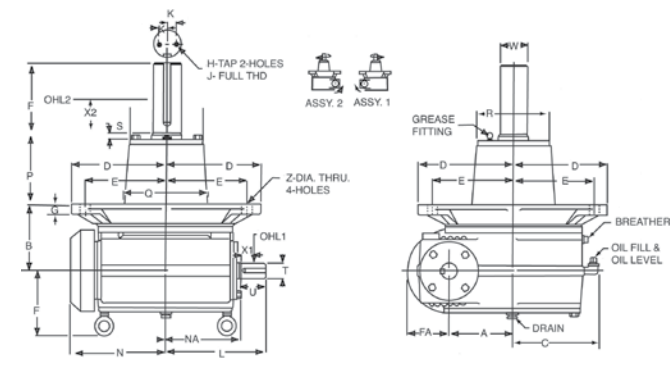
CALL OUR TOLL-FREE APPLICATION HOTLINE: 800-432-0121

Single Reduction Reducers

Type VBX Output Shaft Down



Type VBX Output Shaft Up



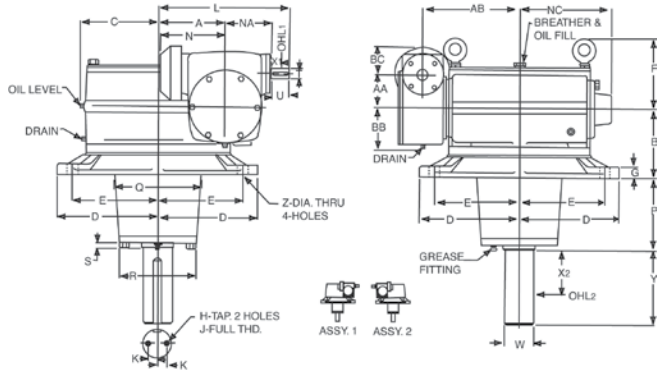
Size	OHL ₁ LBS.	OHL ₂ LBS.
VBX-50	540	3,000
VBX-60	710	5,000
VBX-70	770	10,000
VBX-90	890	14,000

Size	A	B	C	D	E	F	FA	G	H-TAP	J	K	L	N	NA	P	Q	R
VBX-50	5	7	6-5/8	8	7	6-7/8	3-11/16	1-1/4	3/8-16	1	3/4	8-3/4	8-5/8	6-7/8	5	6-3/4	6-1/16
VBX-60	6	7-3/4	7-3/4	9-3/4	8-1/2	7-1/4	4-1/8	1-1/2	3/8-16	1	1	10-1/4	10-1/16	7-3/4	8	9-1/2	7-7/8
VBX-70	7	9	8-3/8	11	9-1/2	7-3/8	5-3/16	1-3/4	5/8-11	1-1/2	1-1/16	11-1/2	10-3/4	8-3/8	8	11	9-1/4
VBX-90	9	10-1/16	10-1/2	14	12	9-1/4	6-3/16	2	5/8-11	1-1/2	1-3/16	14-1/4	13-13/16	10-3/8	8-1/16	12-7/8	10

Size	S	T	U	KEYWAY	X ₁	W	Y	KEYWAY	X ₂	Z
VBX-50	3/4	1-3/8	2-5/16	15/16x5/32x2-1/4	1-5/32	2.187	5-1/2	1/2x1/4x5-3/8	3-15/16	13/16
VBX-60	11/16	1-1/2	2-11/16	3/8x3/16x2-5/8	1-11/32	2.937	7-1/2	3/4x3/8x6-3/8	5	15/16
VBX-70	5/8	1-5/8	3-1/8	3/8x3/16x3-1/16	1-9/16	3.437	7-1/2	7/8x7/16x6-7/16	5	1-1/8
VBX-90	11/16	2-1/8	3-15/16	1/2x1/4x3-7/8	1-31/32	3.937	7-1/2	1x1/2x6-1/2	5	1-5/16

Double Reduction Reducers

Double-Worm Type DVBX Output Shaft Down

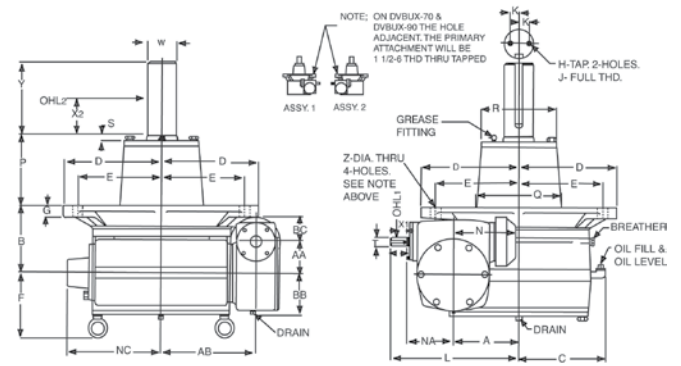


Size	OHL ₁ LBS.	OHL ₂ LBS.
DVBX-50	180	3,000
DVBX-60	240	5,000
DVBX-70	300	10,000
DVBX-90	540	14,000

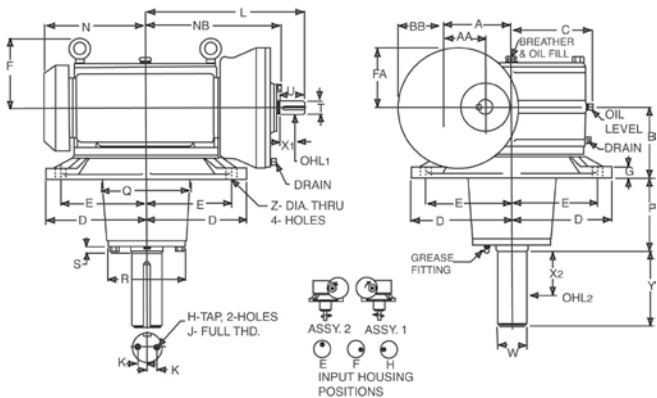
Size	A	AA	AB	B	BB	BC	C	D	E	F	G	H-TAP	J	K	L	N	NA
DVBX-50	5	2-1/2	7-7/8	7	3-5/8	2-1/8	6-5/8	8	7	6-7/8	1-1/4	3/8-16	1	3/4	10-3/8	5-1/16	3-5/8
DVBX-60	6	3	9-1/2	7-3/4	4-3/8	2-9/16	7-3/4	9-3/4	8-1/2	7-1/4	1-1/2	3/8-16	1	1	12-1/8	5-7/8	4-3/16
DVBX-70	7	3-1/2	10-3/8	9	4-3/4	2-9/16	8-3/8	11	9-1/2	7-3/8	1-3/4	5/8-11	1-1/2	1-1/16	14	6-9/16	5
DVBX-90	9	5	13-1/8	10-1/16	6-1/8	3-11/16	10-1/2	14	12	9-1/4	2	5/8-11	1-1/2	1-3/16	17-3/4	8-9/16	6-7/16

Size	NC	P	Q	R	S	T	U	KEYWAY	X1	W	Y	KEYWAY	X2	Z
DVBX-50	8-3/16	5	6-3/4	6-1/16	3/4	11/16	1-3/4	3/16x3/32x1-11/16	7/8	2.187	5-1/2	1/2x1/4x5-3/8	3-15/16	13/16
DVBX-60	9-9/16	8	9-1/2	7-7/8	11/16	7/8	1-7/8	3/16x3/32x1-13/16	15/16	2.937	7-1/2	3/4x3/8x6-3/8	5	15/16
DVBX-70	10-3/16	8	11	9-1/4	5/8	1	2	1/4x1/8x1-15/16	1	3.437	7-1/2	7/8x7/16x6-7/16	5	1-1/8
DVBX-90	13-3/8	8-1/16	12-7/8	10	11/16	1-3/8	2-5/16	5/16x5/32x2-1/4	1-5/32	3.937	7-1/2	1x1/2x6-1/2	5	1-5/16

Double-Worm Type DVBOX Output Shaft Up



Helical-Worm Type HVBX Output Shaft Down

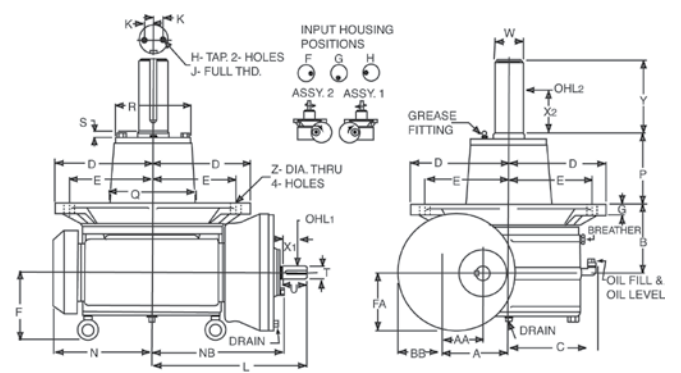


Size	OHL ₁ LBS.	OHL ₂ LBS.
HVBX-50	125	3,000
HVBX-60	190	5,000
HVBX-70	225	10,000
HVBX-90	550	14,000

Size	A	AA	B	BB	C	D	E	F	FA	G	H-TAP	J	K	L	N	NB	P
HVBX-50	5	3-1/2	7	3-15/16	6-5/8	8	7	6-7/8	5-1/16	1-1/4	3/8-16	1	3/4	12-5/8	8-5/8	10-3/8	5
HVBX-60	6	4	7-3/4	4-1/2	7-3/4	9-3/4	8-1/2	7-1/4	5-7/8	1-1/2	3/8-16	1	1	14-3/4	10-1/16	12-1/4	8
HVBX-70	7	4-1/2	9	5	8-3/8	11	9-1/2	7-3/8	6-1/2	1-3/4	5/8-11	1-1/2	1-1/16	16-3/8	10-3/4	13-5/8	8
HVBX-90	9	5	10-1/16	5-15/16	10-1/2	14	12	9-1/4	7-13/16	2	5/8-11	1-1/2	1-3/16	20-1/8	13-13/16	16-11/16	8-1/16

Size	Q	R	S	T	U	KEYWAY	X1	W	Y	KEYWAY	X2	Z
HVBX-50	6-3/4	6-1/16	3/4	1-1/8	2-1/4	1/4x1/8x2-3/16	1-1/8	2.187	5-1/2	1/2x1/4x5-3/8	3-15/16	13/16
HVBX-60	9-1/2	7-7/8	11/16	1-1/4	2-1/2	1/4x1/8x2-7/16	1-1/4	2.937	7-1/2	3/4x3/8x6-3/8	5	15/16
HVBX-70	11	9-1/4	5/8	1-3/8	2-3/4	5/16x5/32x2-11/16	1-3/8	3.437	7-1/2	7/8x7/16x6-7/16	5	1-1/8
HVBX-90	12-7/8	10	11/16	1-3/4	3-1/2	3/8x3/16x3-7/16	1-3/4	3.937	7-1/2	1x1/2x6-1/2	5	1-5/16

Helical-Worm Type HVBOX Output Shaft Up



Delroyd Worm Gear Facilities

North America

USA

2221 Niagara Falls Boulevard
Niagara Falls, NY 14304 - USA
716-298-4100

*Worm Gear and
Helical Speed Reducers*

The Brands of Altra Motion

Couplings

Ameridrives
www.ameridrives.com

Bibby Turboflex
www.bibbyturboflex.com

Guardian Couplings
www.guardiancouplings.com

Huco
www.huco.com

Lamiflex Couplings
www.lamiflexcouplings.com

Stromag
www.stromag.com

TB Wood's
www.tbwoods.com

Linear Systems

Thomson
www.thomsonlinear.com

Warner Linear
www.warnerlinear.com

Geared Cam Limit Switches

Stromag
www.stromag.com

Engineered Bearing Assemblies

Kilian
www.kilianbearings.com

Electric Clutches & Brakes

Matrix
www.matrix-international.com

Stromag
www.stromag.com

Warner Electric
www.warnerelectric.com

Deltran
www.thomsonlinear.com

Belted Drives

TB Wood's
www.tbwoods.com

Heavy Duty Clutches & Brakes

Twiflex
www.twiflex.com

Stromag
www.stromag.com

Svendborg Brakes
www.svendborg-brakes.com

Wichita Clutch
www.wichitaclutch.com

Gearing & Specialty Components

Bauer Gear Motor
www.bauergears.com

Boston Gear
www.bostongear.com

Delevan
www.delevan.com

Delroyd Worm Gear
www.delroyd.com

Nuttall Gear
www.nuttallgear.com

Engine Braking Systems

Jacobs Vehicle Systems
www.jacobsvehiclesystems.com

Precision Motors & Automation

Kollmorgen
www.kollmorgen.com

Miniature Motors

Portescap
www.portescap.com

Overrunning Clutches

Formsprag Clutch
www.formsprag.com

Marland Clutch
www.marland.com

Stieber
www.stieberclutch.com

Neither the accuracy nor completeness of the information contained in this publication is guaranteed by the company and may be subject to change in its sole discretion. The operating and performance characteristics of these products may vary depending on the application, installation, operating conditions and environmental factors. The company's terms and conditions of sale can be viewed at <http://www.altramotion.com/terms-and-conditions/sales-terms-and-conditions>. These terms and conditions apply to any person who may buy, acquire or use a product referred to herein, including any person who buys from a licensed distributor of these branded products.

©2019 by Delroyd Worm Gear LLC. All rights reserved. All trademarks in this publication are the sole and exclusive property of Delroyd Worm Gear LLC or one of its affiliated companies.

